



Currie

www.currietechnology.com

Customer Service (800) 377-4532

400 Scooter Exploded Parts View

EZ-400-BK
IZ-4008-BK
SW-4007-BL
IZ-4007-RD

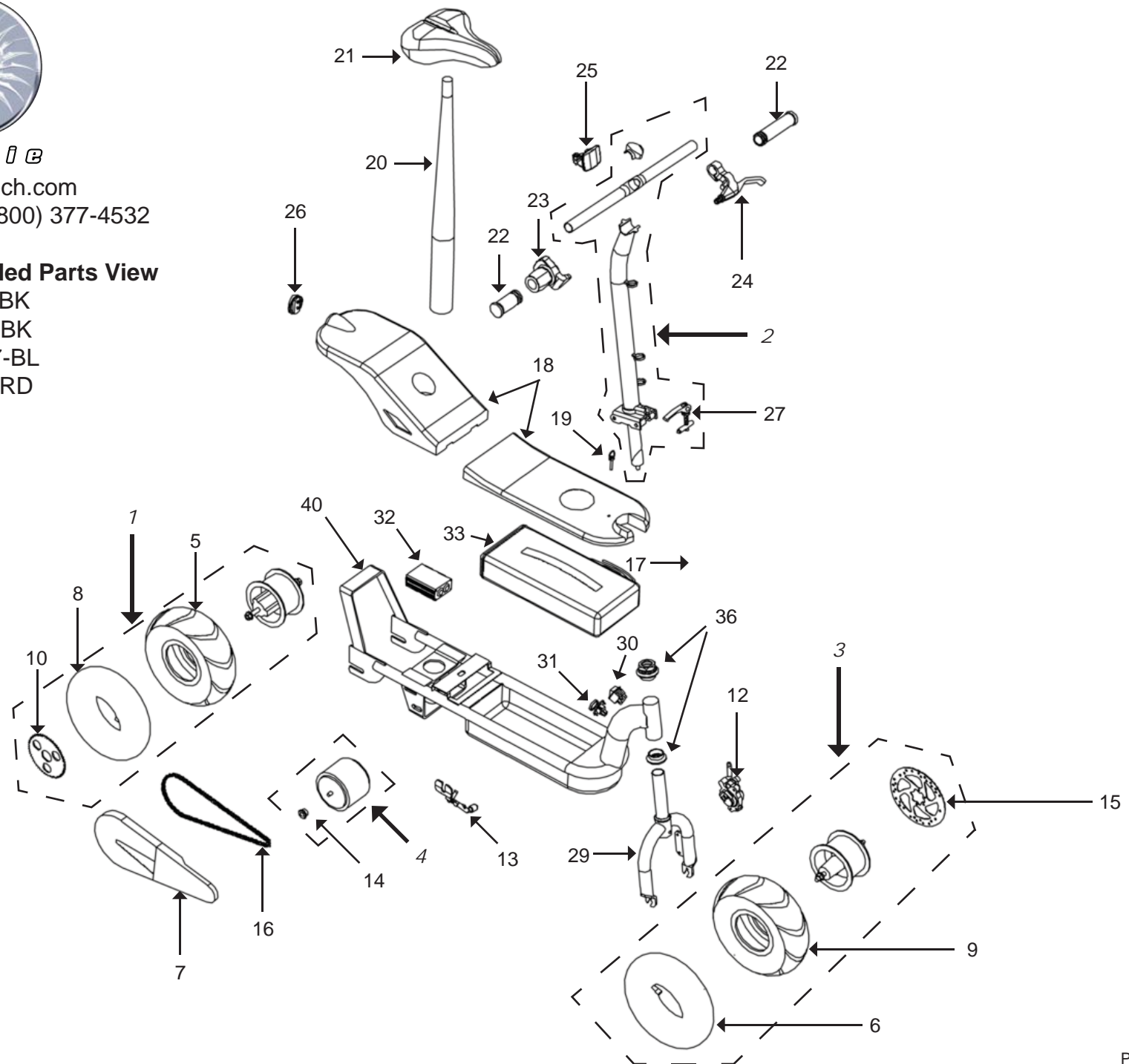


Diagram #	Description	Part #
1	Rear Wheel Assembly	WH-4007-2
2	Handlebar Assembly	HB-FD4QB-430A
3	Front Wheel Assembly	WH-4007-1
4	Motor	SD-4007-2
5	Tire (rear)	TT-4007-1
6	Tube (front)	TT-4007-2
7	Chain Guard	AS-4007-1
8	Tube (rear)	TT-4007-2
9	Tire (front)	TT-4007-1
10	Sprocket	SD-4007-3
11	n/a	n/a
12	Brake (disc type)	BR-YK2-002A
13	Kickstand	AS-4007-2
14	Motor Gear	SD-250-5
15	Disc Brake Rotor	SP-4007-1
16	Chain	SD-4007-1
17	Controller Plate (not shown)	n/a
18	Deck (front and rear)	FE-400-001
19	Deck Quick Release Screw	SF-450-2
20	Seat Tube	SU-500580-8295
21	Seat	SE-GS2013-4A
22	Grips (left & right)	GR-TCG82-002A
23	Throttle	TH-XH2DL-002A
24	Brake Lever w/ Inhibitor	BL-H430AD-L02
25	Reflector (front)	AS-460
26	Reflector (rear)	AS-965
27	Handlebar Quick Release	AS-321-1
28	Stem Bolt & Wedge (not shown)	HW-BW-005
29	Fork	FK-TD400-8295
30	Switch	BA-080
31	Charger Port	BA-071-7
32	Controller	SD-4007-4
33	Battery Pack	AC-BAT1-PK
34	Wire Harness - Complete (not shown)	WR-DME040B
35	Brake Cable (not shown)	SP-910
36	Headset	n/a
37	Fuse (not shown)	AU-062

Diagram #	Description	Part #
38	Charger (not shown)	AU-097
39	Charger (Fast) Optional (not shown)	AU-092-4
40	Frame	n/a

Throttle lights and corresponding battery pack voltages. All values are +/- 0.5v.

- Green = > 24.0v
- Yellow = < 24.0v - 22.5v >
- Red = < 22.5v

