

**Required Tools: (Not included)**

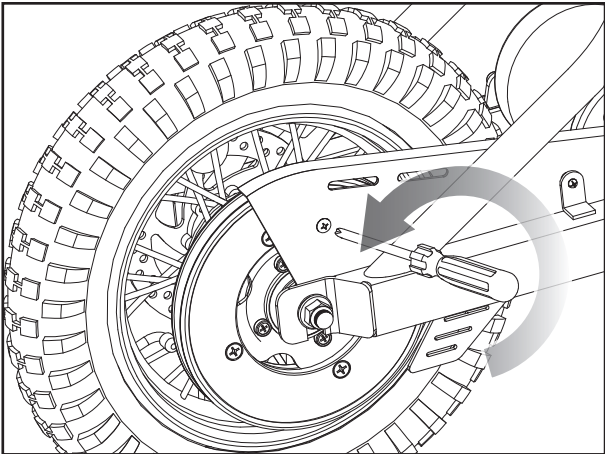
- A. Phillips screwdriver
- B. Two (2) 19 mm wrenches

**⚠WARNING**

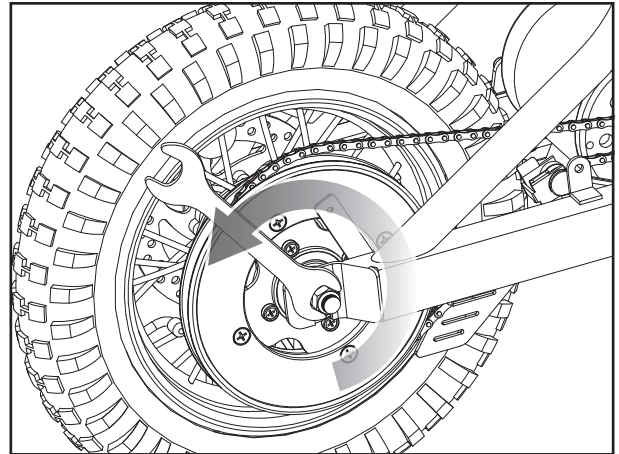
**⚠CAUTION:** To avoid potential shock or other injury, turn power switch OFF and disconnect charger before performing any assembly or maintenance procedures. Failure to follow these steps in the correct order may cause irreparable damage.

**Step 1**

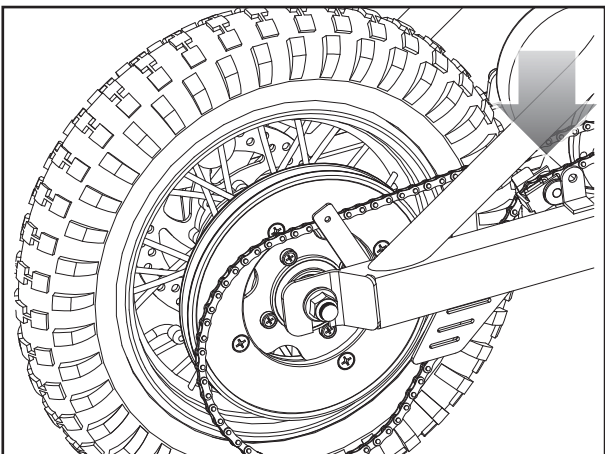
Using a Phillips screwdriver, loosen screws and remove chain guard.

**Step 2**

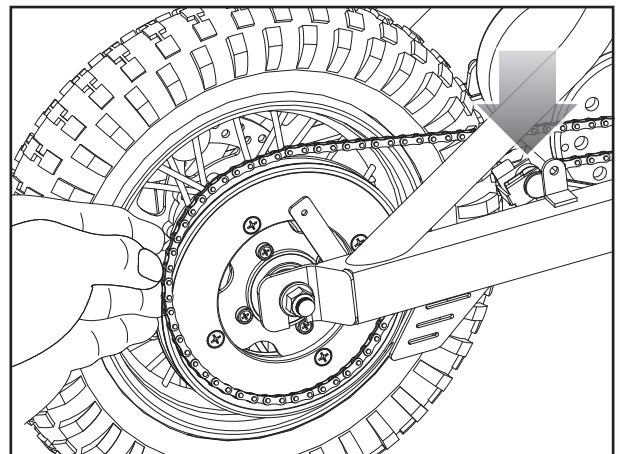
Using two (2) 19 mm wrenches, loosen both axle nuts.

**Step 3**

Push the chain tensioner down to loosen the chain and remove the chain from the wheel sprocket and motor sprocket. NOTE: Your hands will get greasy doing this.

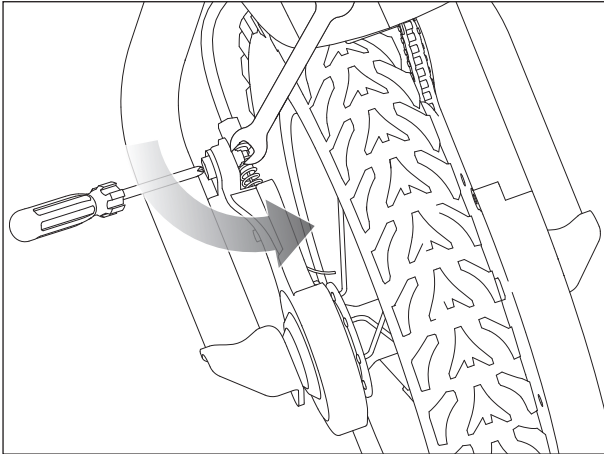
**Step 4**

Install the new chain by slipping the chain around the axle. Slide the axle into the slots on the frame. Slide the chain tensioner down and maneuver the chain onto the rear sprocket and motor sprocket.



**Step 5**

Reattach the chain guard. Test ride and check.  
Readjust as needed.



**Attention: Charge battery for 12 hours before using.**