

# MOT-MX500 36 Volt 500 Watt Brush DC Motor

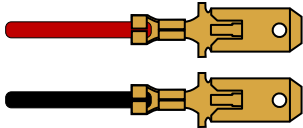
Operating Voltage: 36 Volts DC

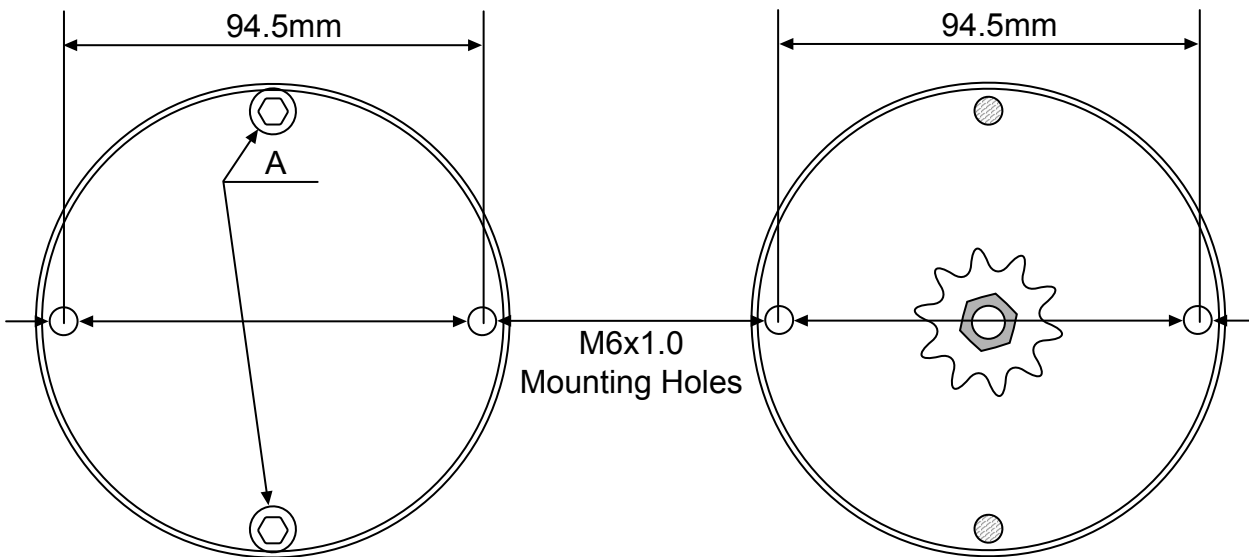
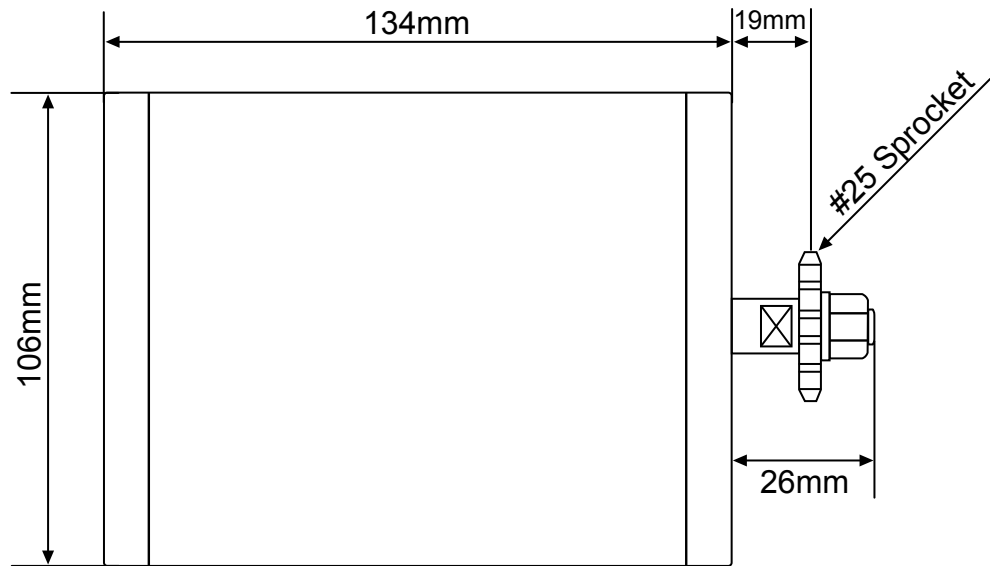
Rated Power: 500 Watts Continuous Duty

RPM: 2500

Power Wires: 2 (Red, Black)

Power Wire Terminals: 6.3mm White Connector Terminals

Motor Power Wires		Red to Controller Positive Black to Controller Negative
-------------------	---	--



A = Recessed motor assembly bolts provide a flat backplate with no bolt heads protruding out of it.