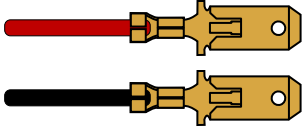
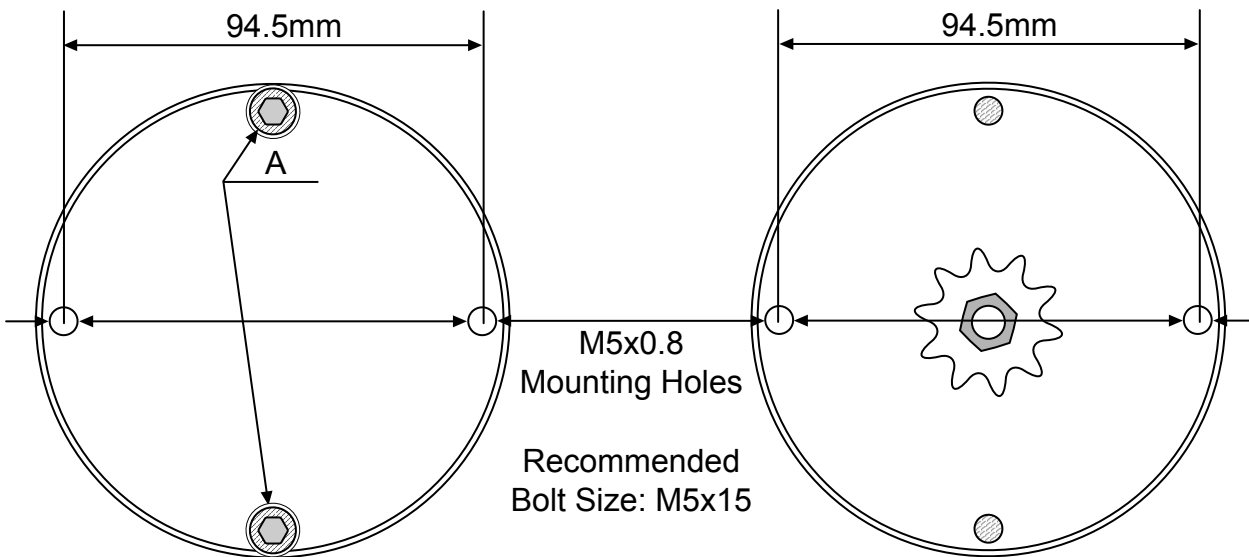
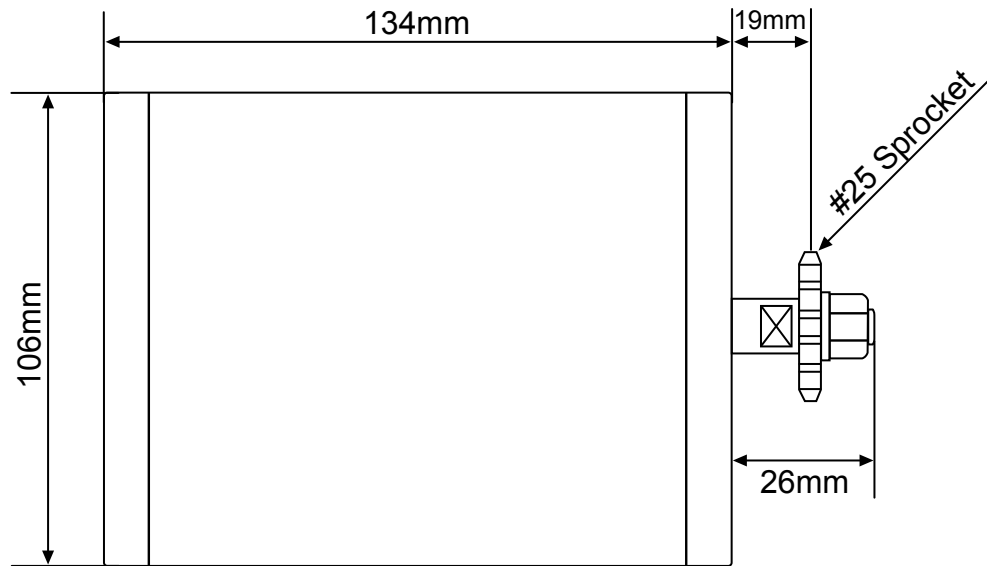


MOT-36350X2250 36 Volt 350 Watt Brush DC Motor

Operating Voltage: 36 Volts DC
Rated Power: 350 Watts Continuous Duty
RPM: 2250
Power Wires: 2 (Red, Black)
Power Wire Terminals: 6.3mm White Connector Terminals

Motor Power Wires		Red to Controller Positive Black to Controller Negative
-------------------	---	--



A = Recessed motor assembly bolts provide a flat backplate with no bolt heads protruding out of it.